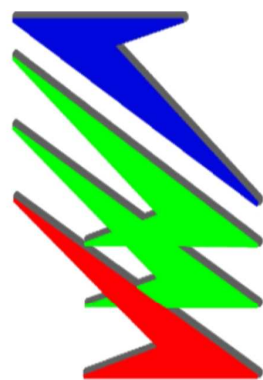
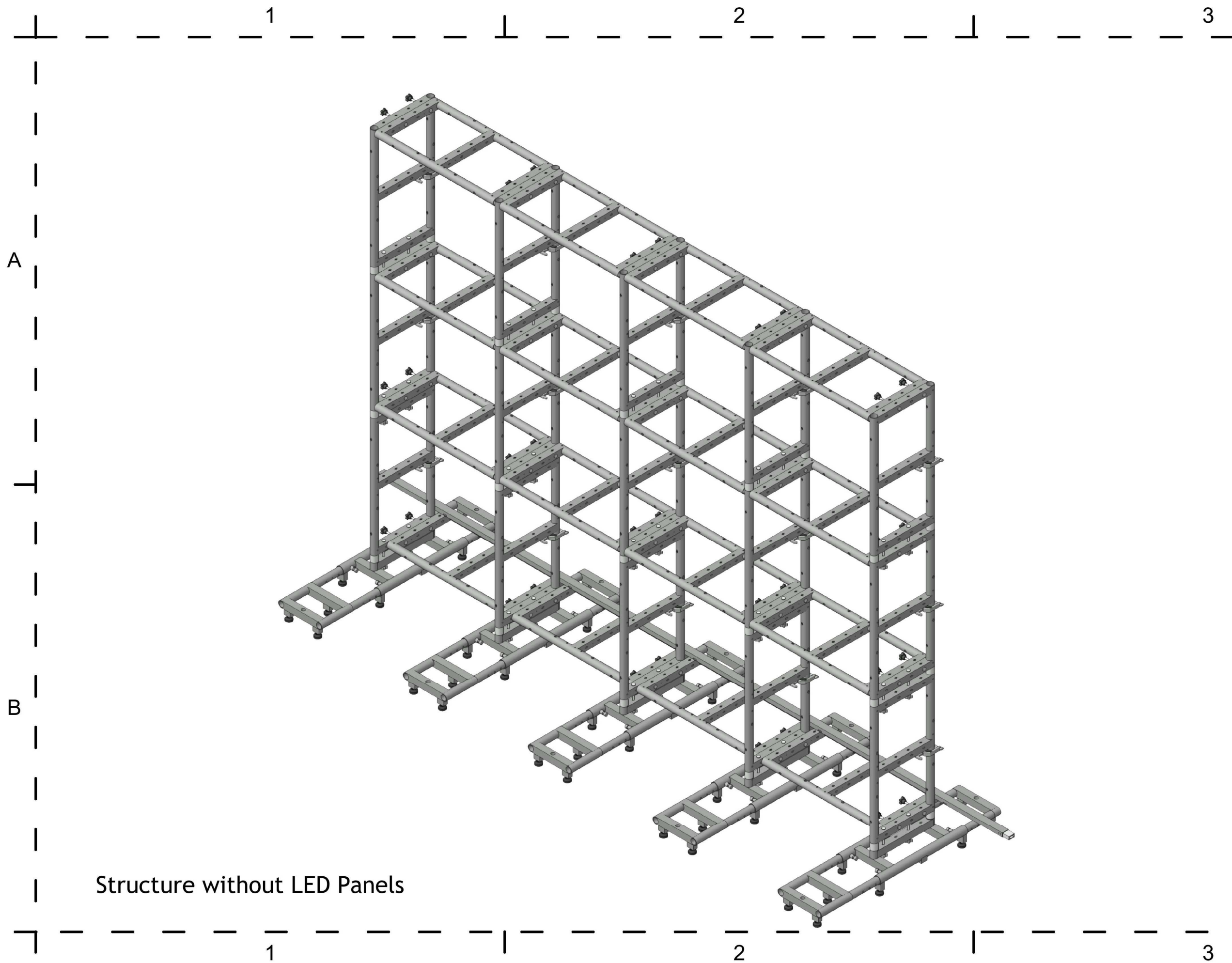


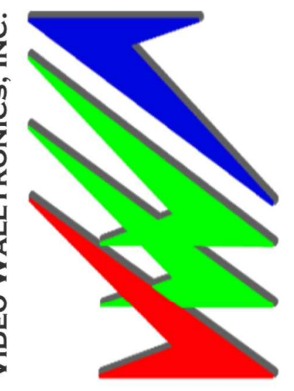
Shown with DLP 5.9mm in a 10W x 6H Panel Configuration

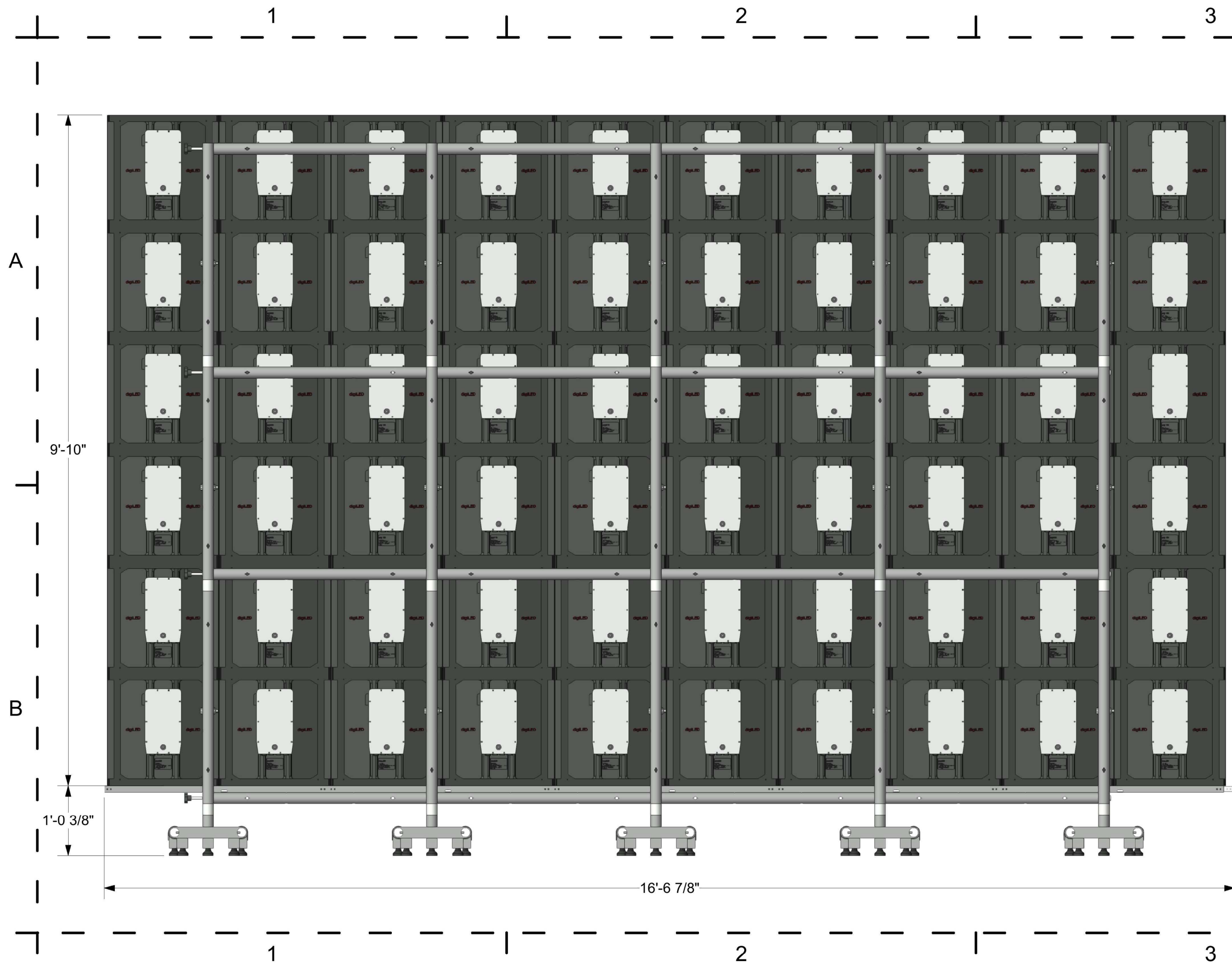
PROJECT: DLP Ground Support	DRAWN BY: Joe Boas	DATE: 4/4/2017
	PAGE: 1-ISO View	SCALE: 1:19
VIDEO WALLTRONICS, INC. 		RENTBIGSCREENS.COM




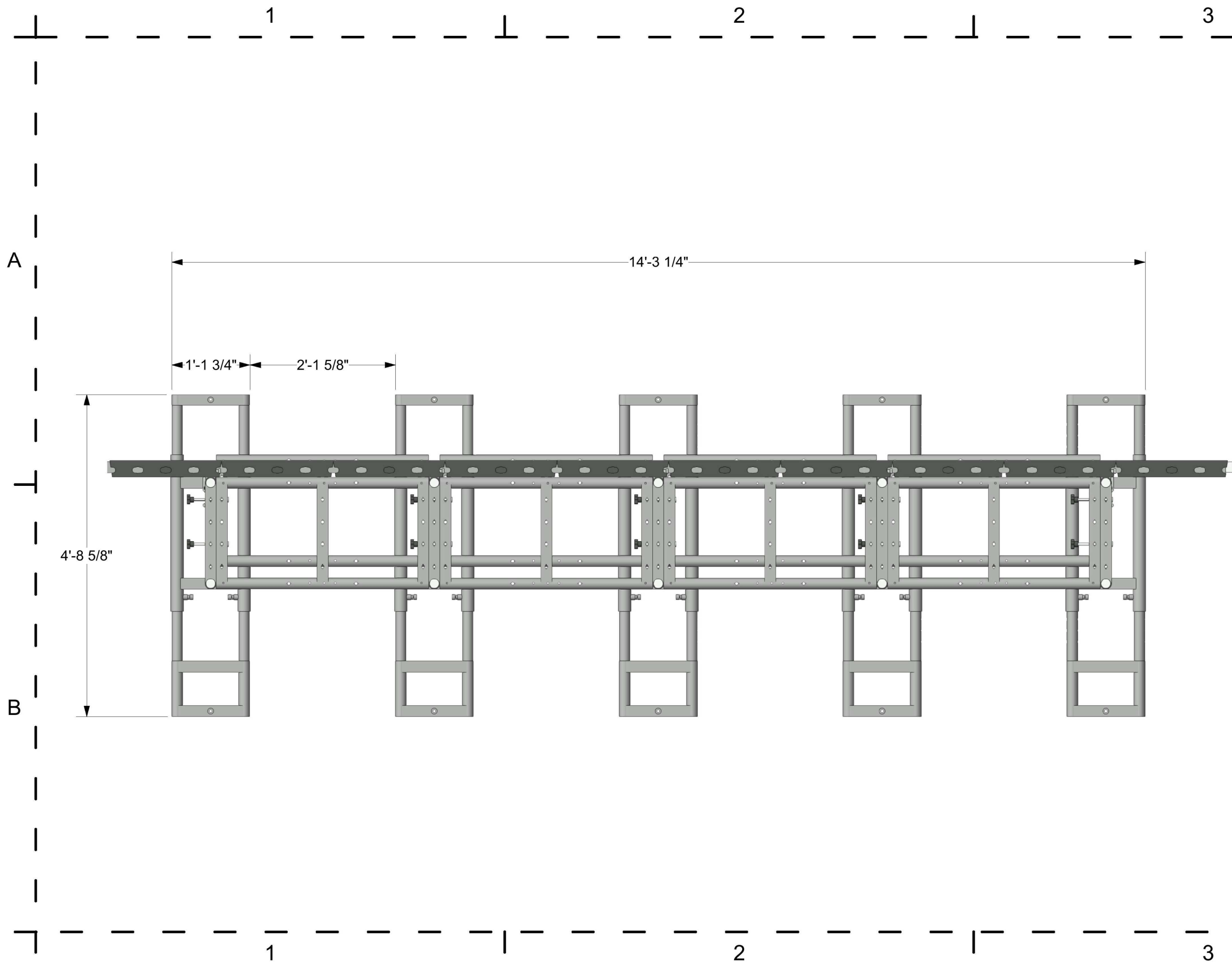
Structure without LED Panels

DRAWN BY: Joe Boas		DATE: 4/4/2017	
PROJECT: DLP Ground Support		SCALE: 1:19	
		PAGE: 2-ISO View	
VIDEO WALLTRONICS, INC.		RENTBIGSCREENS.COM	



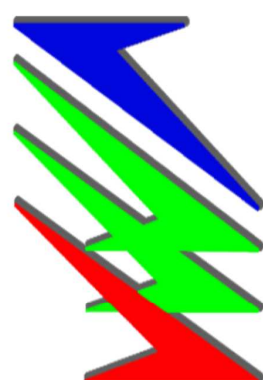


PROJECT: DLP Ground Support	DRAWN BY: Joe Boas	DATE: 4/4/2017
	PAGE: 3-Front View	SCALE: 1:15
VIDEO WALL TRONICS, INC.  RENTBIGSCREENS.COM		A



DRAWN BY: Joe Boas	DATE: 4/4/2017
-----------------------	-------------------

PROJECT: DLP Ground Support	SCALE: 1:15
	PAGE: 4-Top View

VIDEO WALLTRONICS, INC.		RENTBIGSCREENS.COM
-------------------------	---	--------------------

A

B

A

B

1

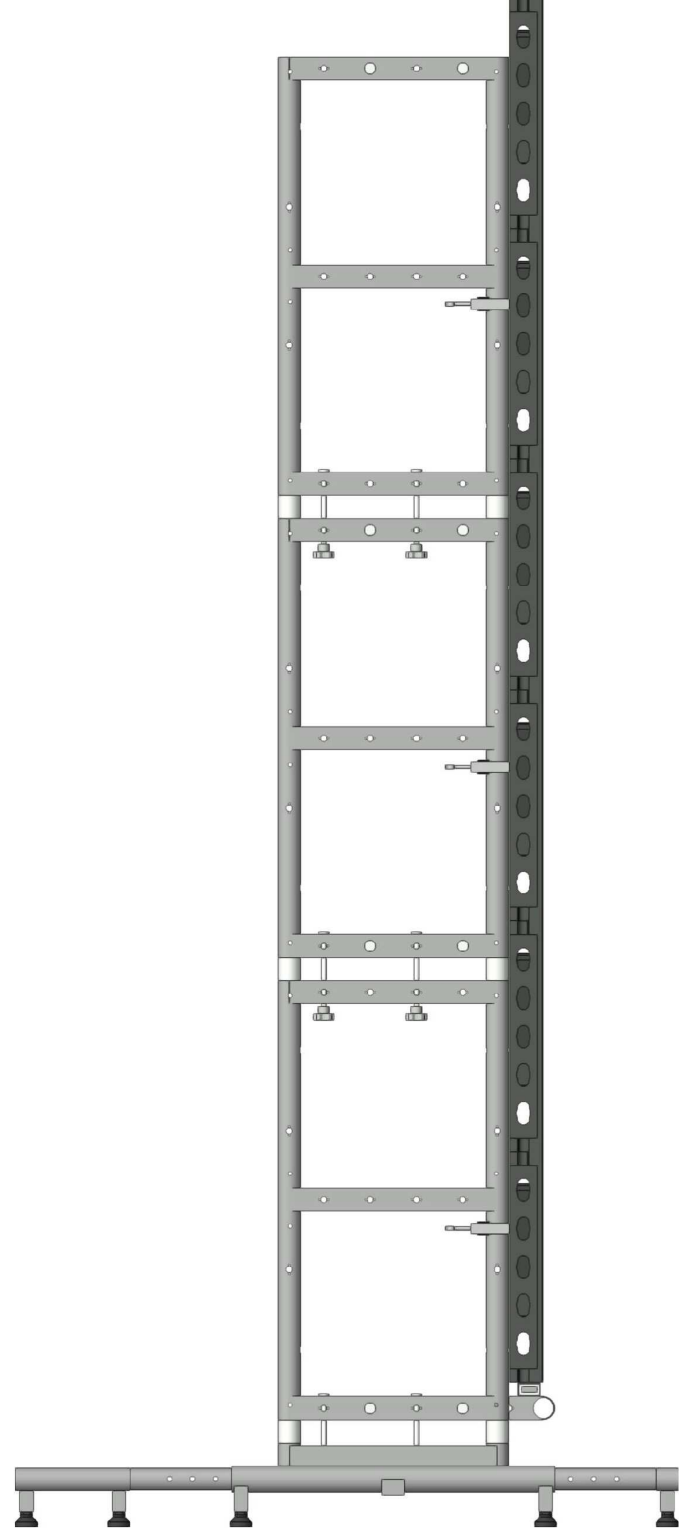
2

3

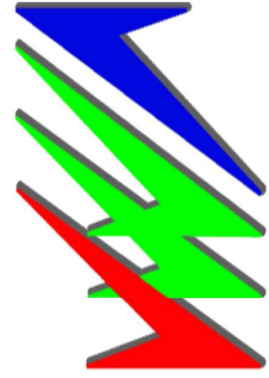
1

2

3



VIDEO WALL TRONICS, INC.



RENTBIGSCREENS.COM

PROJECT:

DLP Ground Support

PAGE: 5-Side Views

SCALE: 1:15

DRAWN BY:

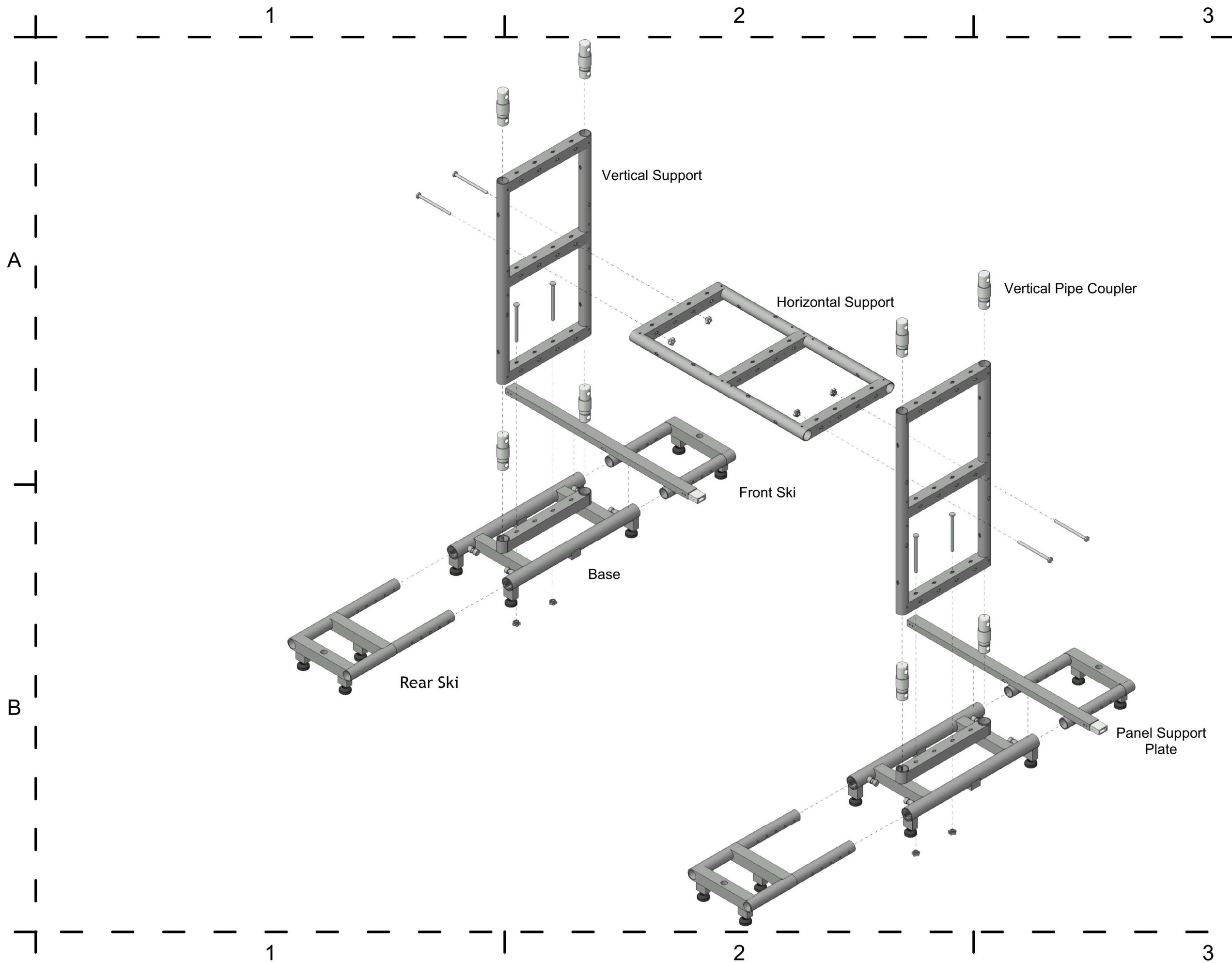
Joe Boas

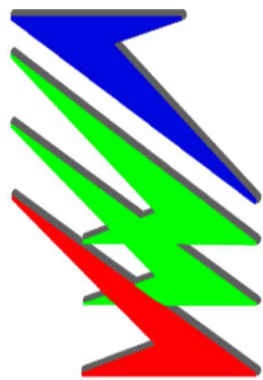
DATE:

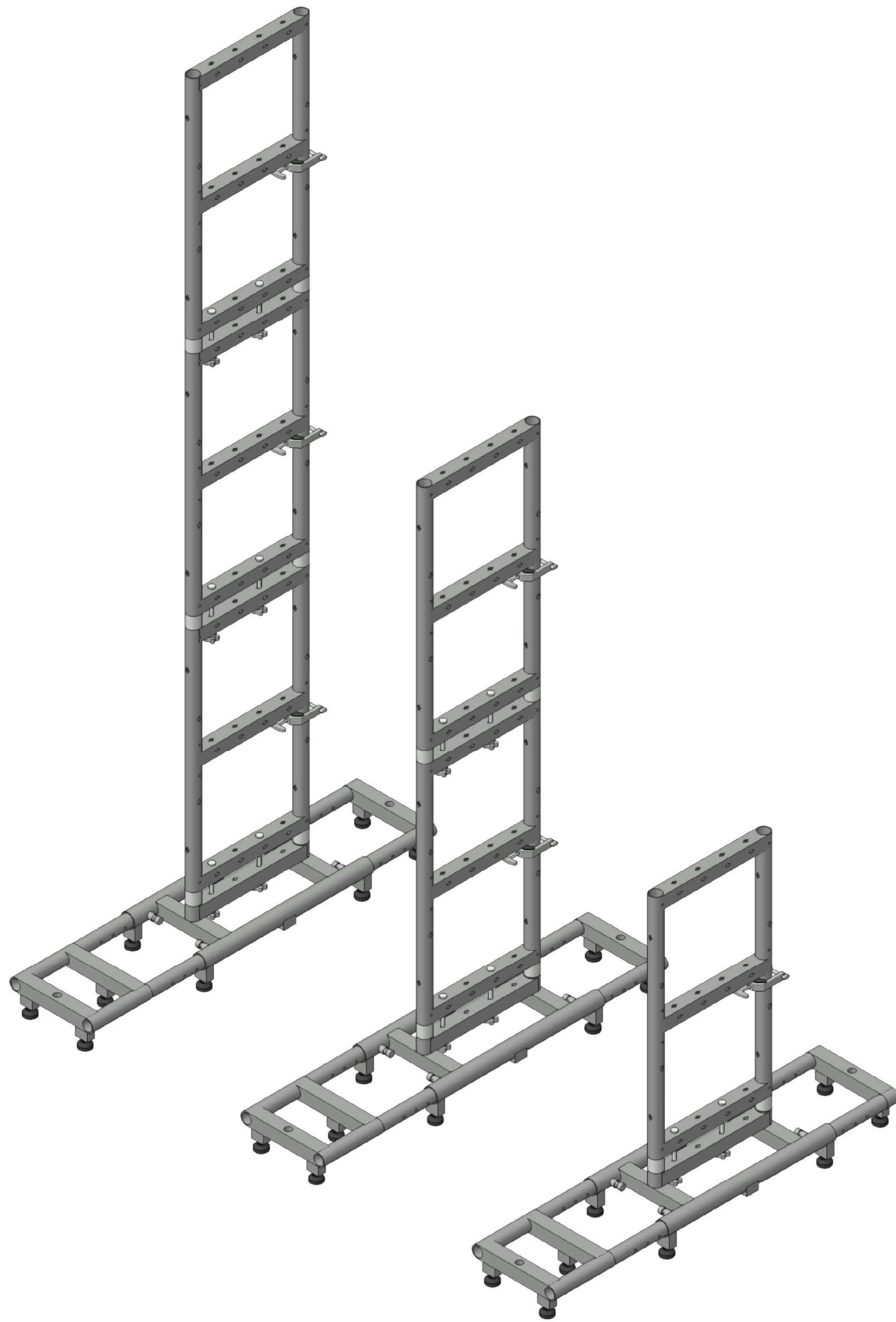
4/4/2017

B

A



DRAWN BY: Joe Boas	DATE: 4/4/2017
	SCALE: 1:15
PROJECT: DLP Ground Support	
PAGE: 6-Exp. View	
	
VIDEO WALL TRONICS, INC.	RENTBIGSCREENS.COM



A

B

1

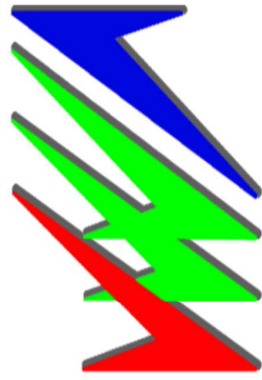
2

3

1

2

3

VIDEO WALLTRONICS, INC.

RENTBIGSCREENS.COM

PROJECT:

DLP Ground Support

PAGE: 7-Base ISO

SCALE: 1:15

DRAWN BY:

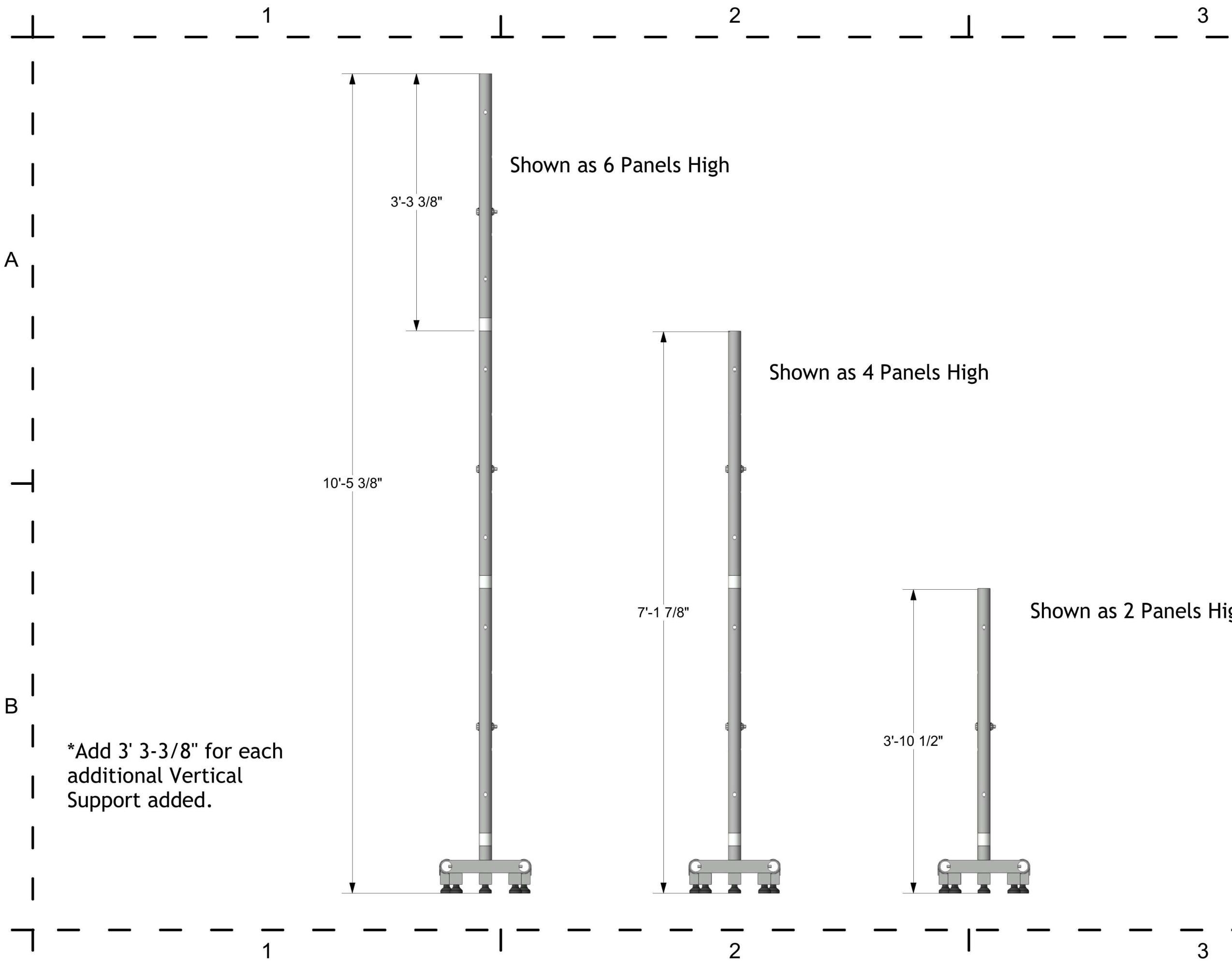
Joe Boas

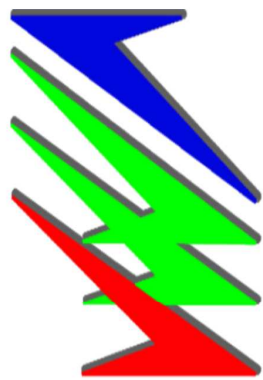
DATE:

4/4/2017

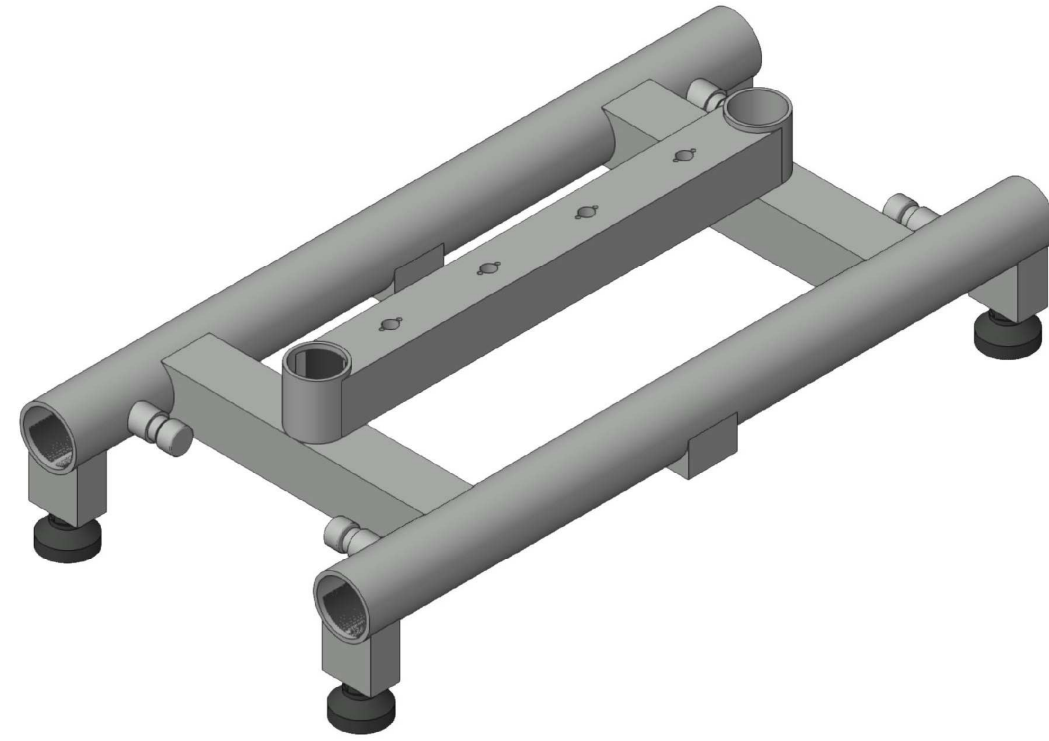
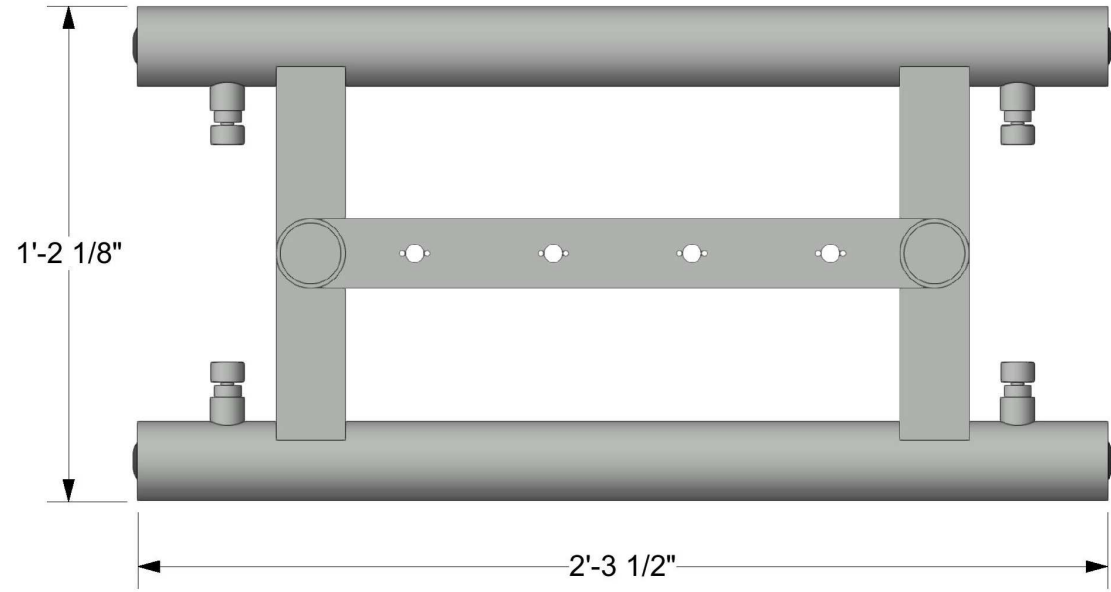
B

A

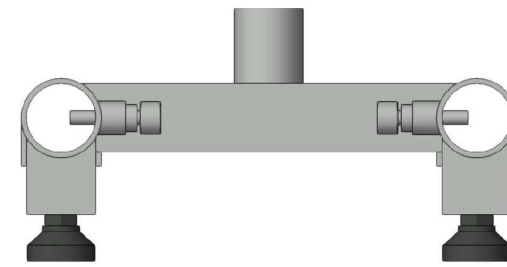
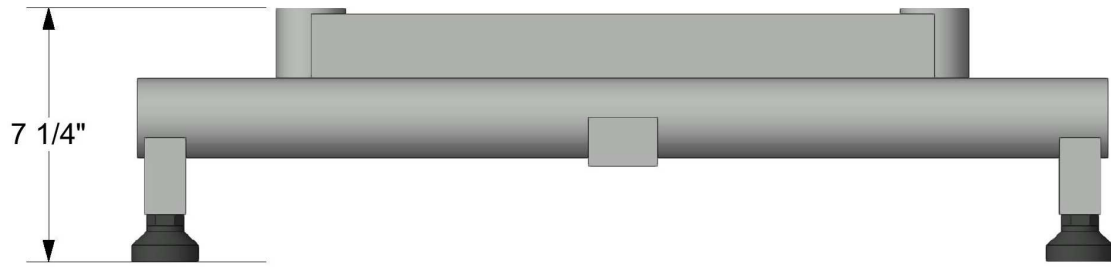


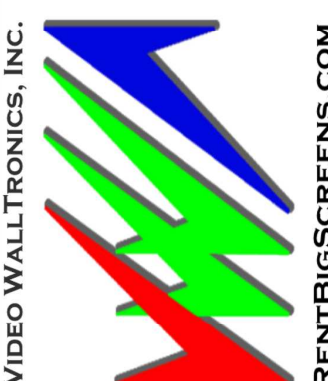
DRAWN BY: Joe Boas		DATE: 4/4/2017	
PROJECT: DLP Ground Support		SCALE: 1:13	
		PAGE: 8-Base Front	
VIDEO WALL TRONICS, INC.  RENTBIGSCREENS.COM		B	

A



B



 <p>VIDEO WALLTRONICS, INC. RENTBIGSCREENS.COM</p>	<p>PROJECT:</p> <p>DLP Ground Support</p>	<p>DRAWN BY:</p> <p>Joe Boas</p>	<p>DATE:</p> <p>4/4/2017</p>
	<p>PAGE: 9- Base</p>	<p>SCALE: 1:5</p>	

A

B

1

2

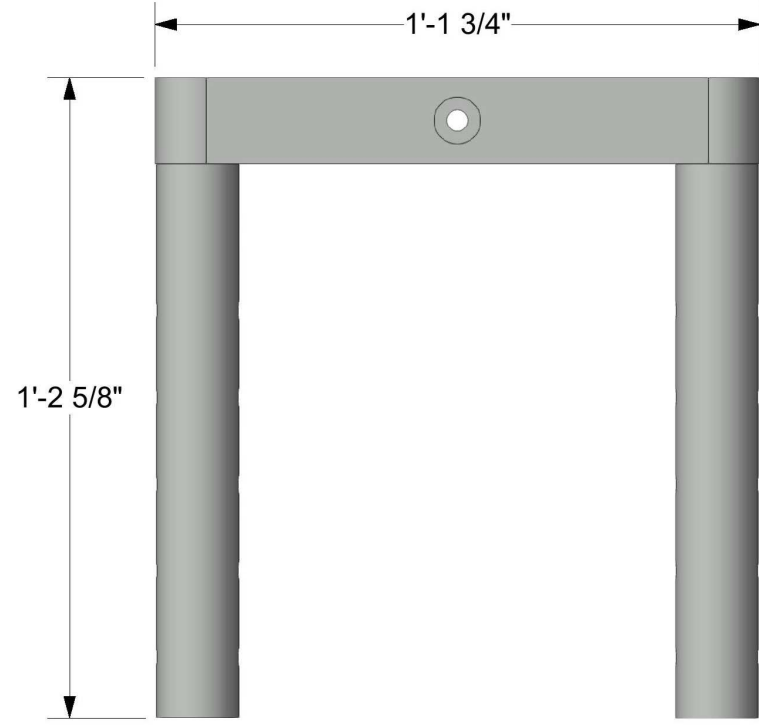
3

1

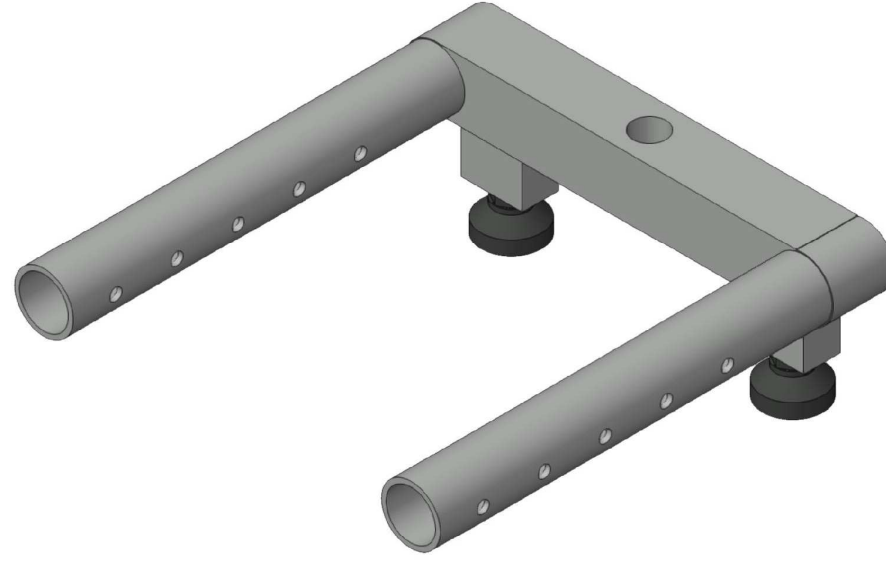
2

3

A

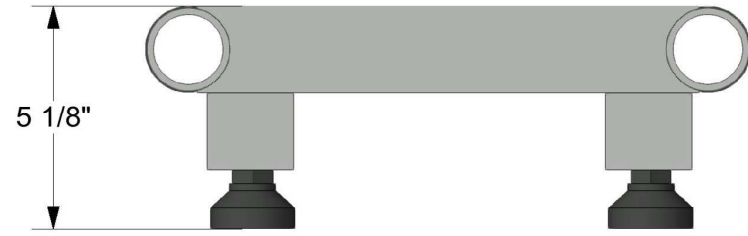


2

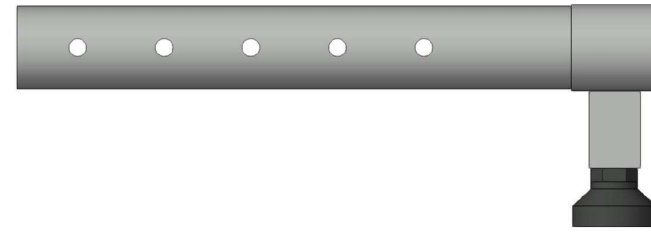


3

B

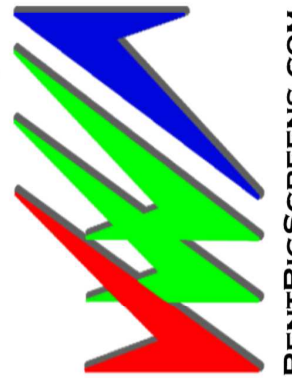


2



3

VIDEO WALLTRONICS, INC.



RENTBIGSCREENS.COM

PROJECT:

DLP Ground Support

DRAWN BY:

Joe Boas

DATE:

4/4/2017

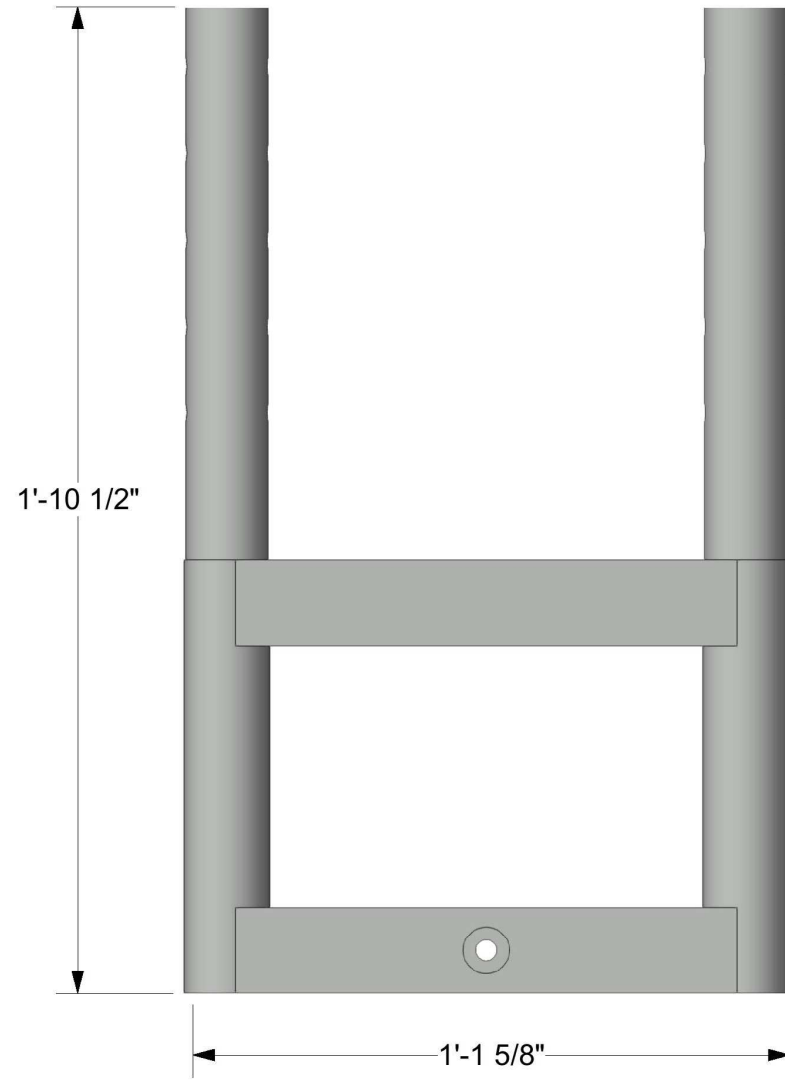
PAGE: 10-Front Ski

SCALE: 3"=1'

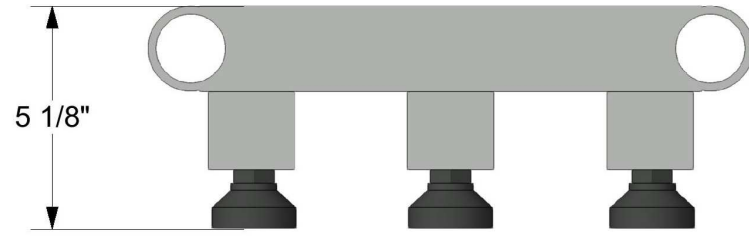
A

B

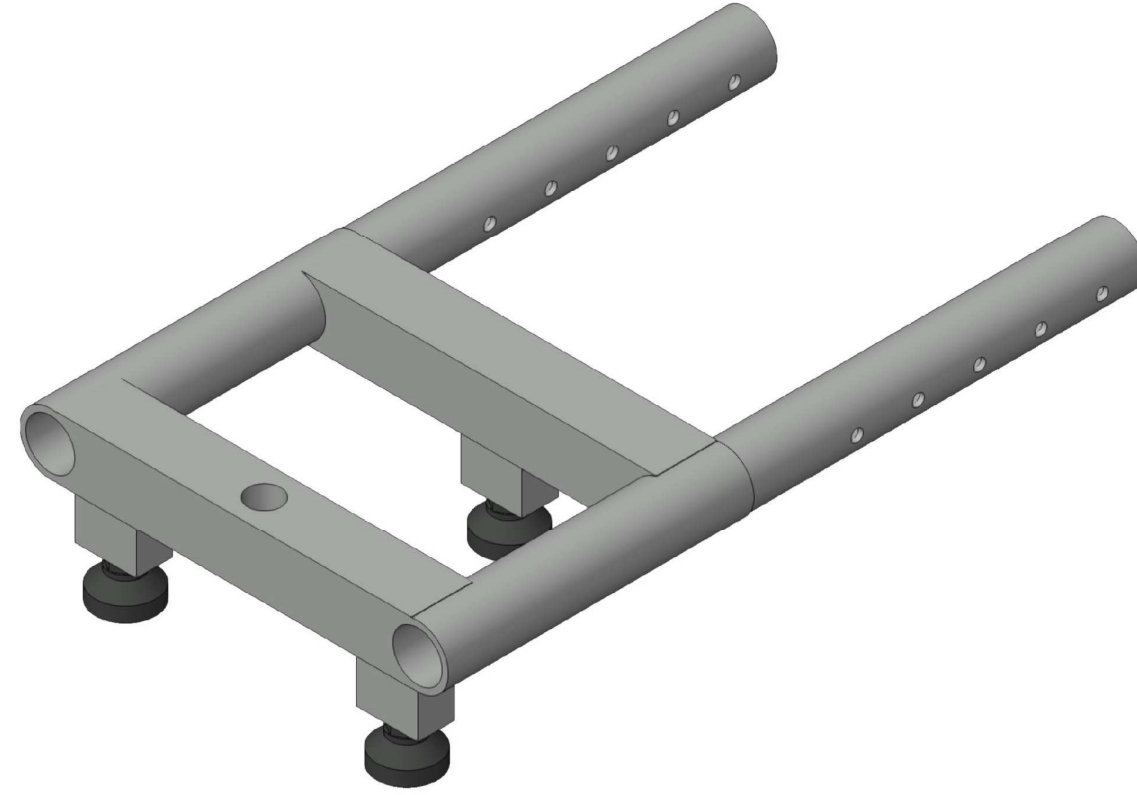
A



B



2



2

3

3

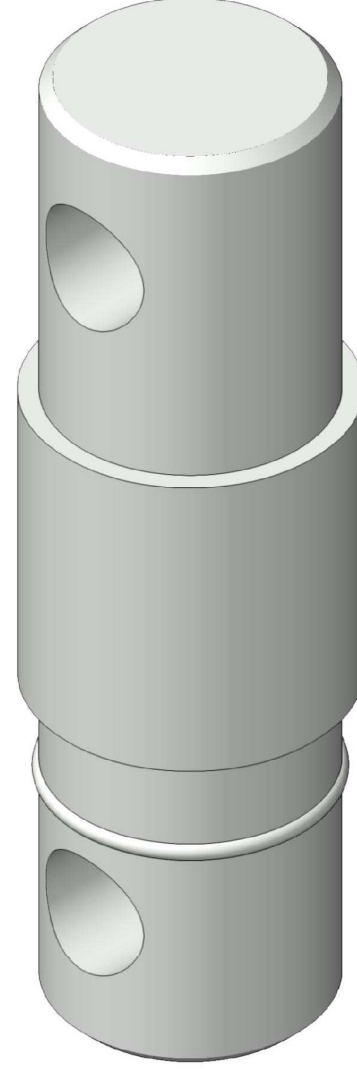
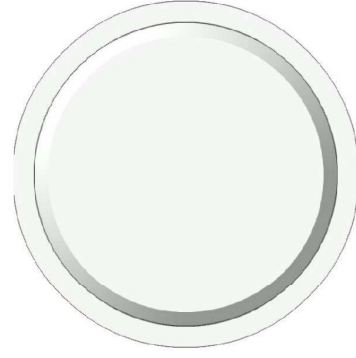
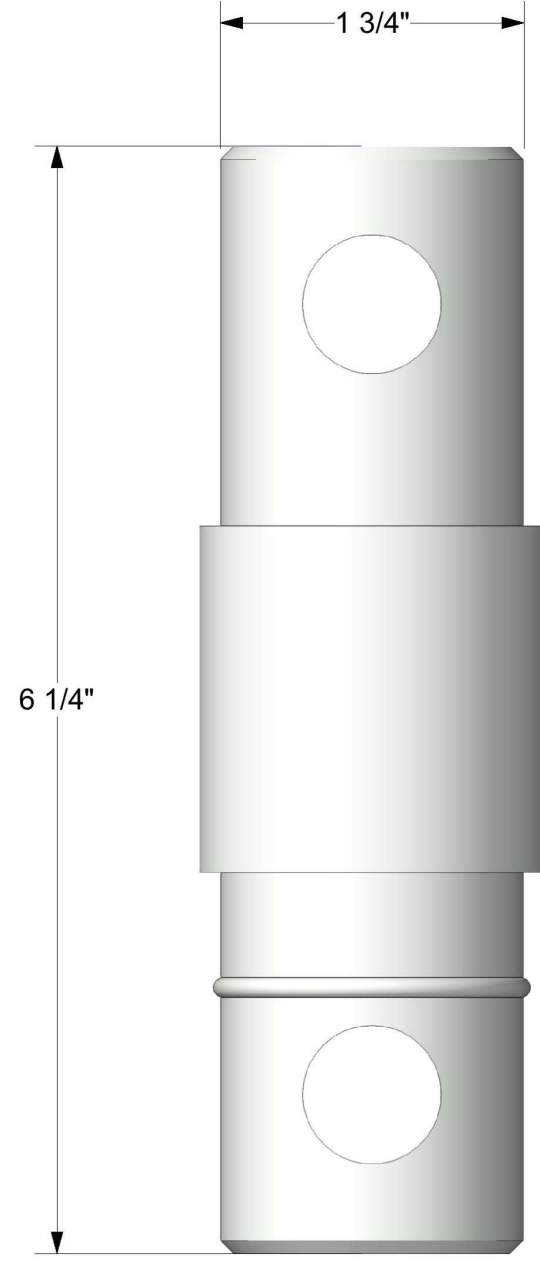
A

B

PROJECT: DLP Ground Support	DRAWN BY: Joe Boas	DATE: 4/4/2017
	PAGE: 11-Rear Ski	SCALE: 3"=1'
VIDEO WALLTRONICS, INC. RENTBIGSCREENS.COM		

A

B



1

2

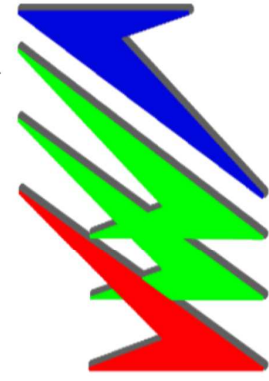
3

1

2

3

VIDEO WALLTRONICS, INC.



RENTBIGSCREENS.COM

PROJECT:

DLP Ground Support

PAGE: 12-Vert Conn

SCALE: 1:1

DRAWN BY:

Joe Boas

DATE:

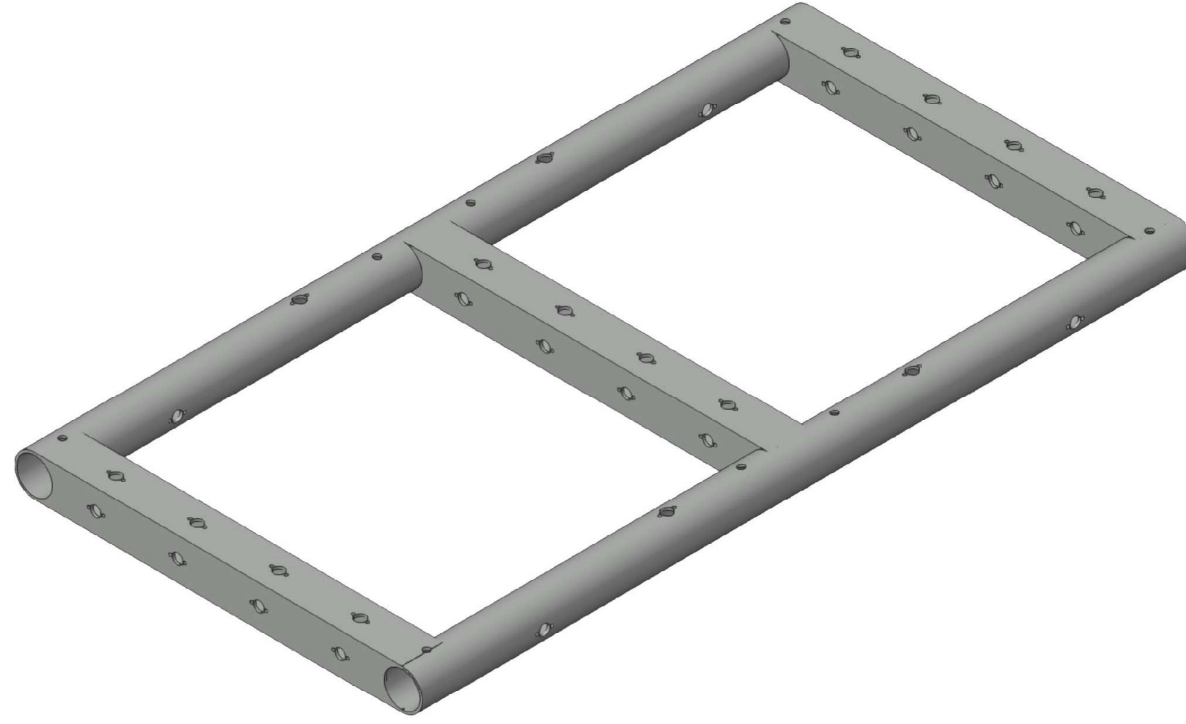
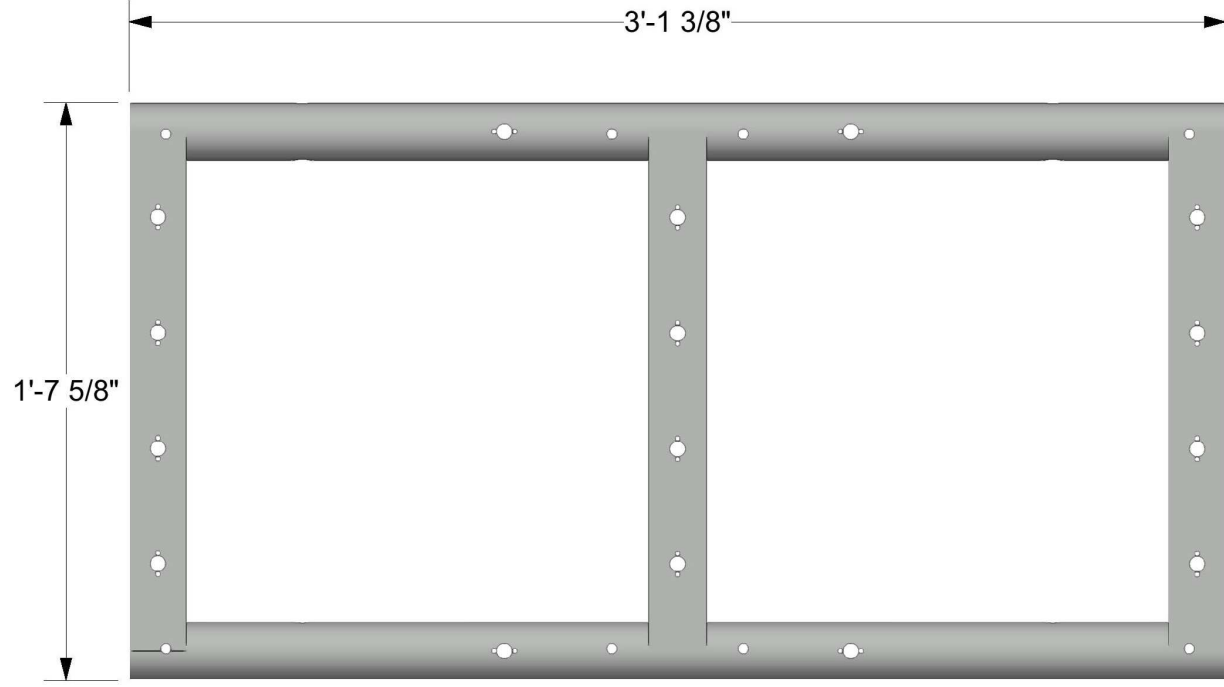
4/4/2017

B

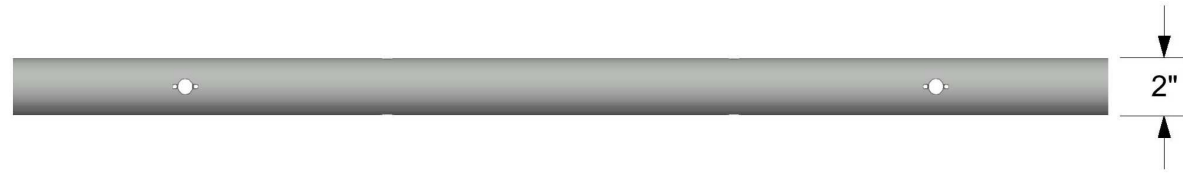
A

1 2 3

A



B



PROJECT: DLP Ground Support	DRAWN BY: Joe Boas	DATE: 4/4/2017
	PAGE: 13	SCALE: 2"=1'
VIDEO WALL TRONICS, INC. RENTBIGSCREENS.COM	A	

B

1 2 3

A

B

1

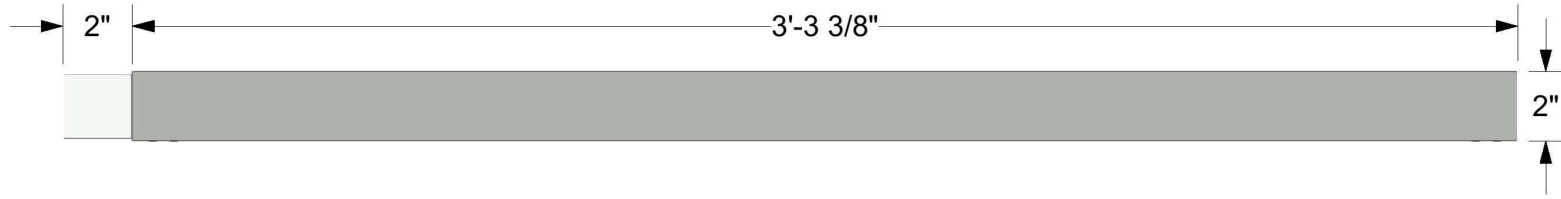
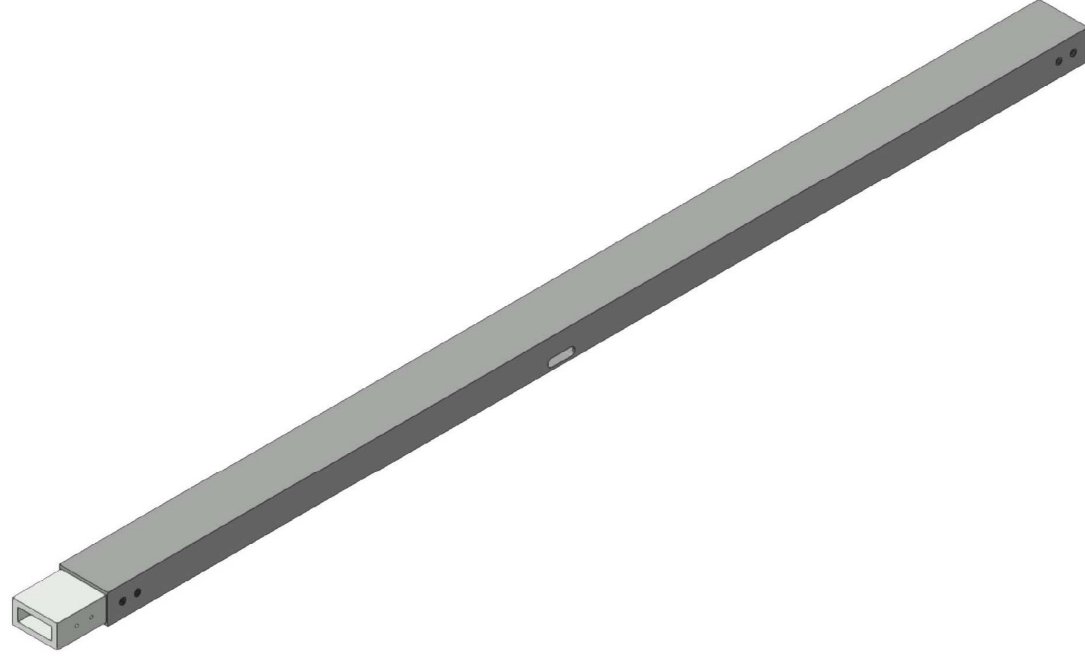
2

3

1

2

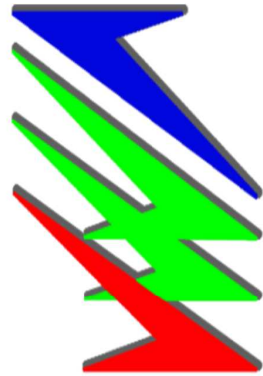
3



A

B

VIDEO WALL TRONICS, INC.



RENTBIGSCREENS.COM

PROJECT:

DLP Ground Support

PAGE: 14-Panel Sup

SCALE: 1:5

DRAWN BY:

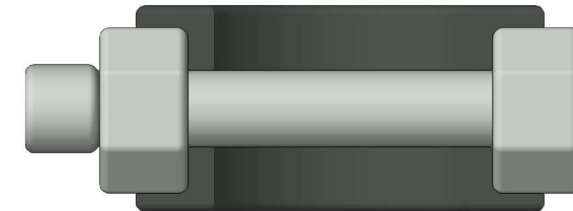
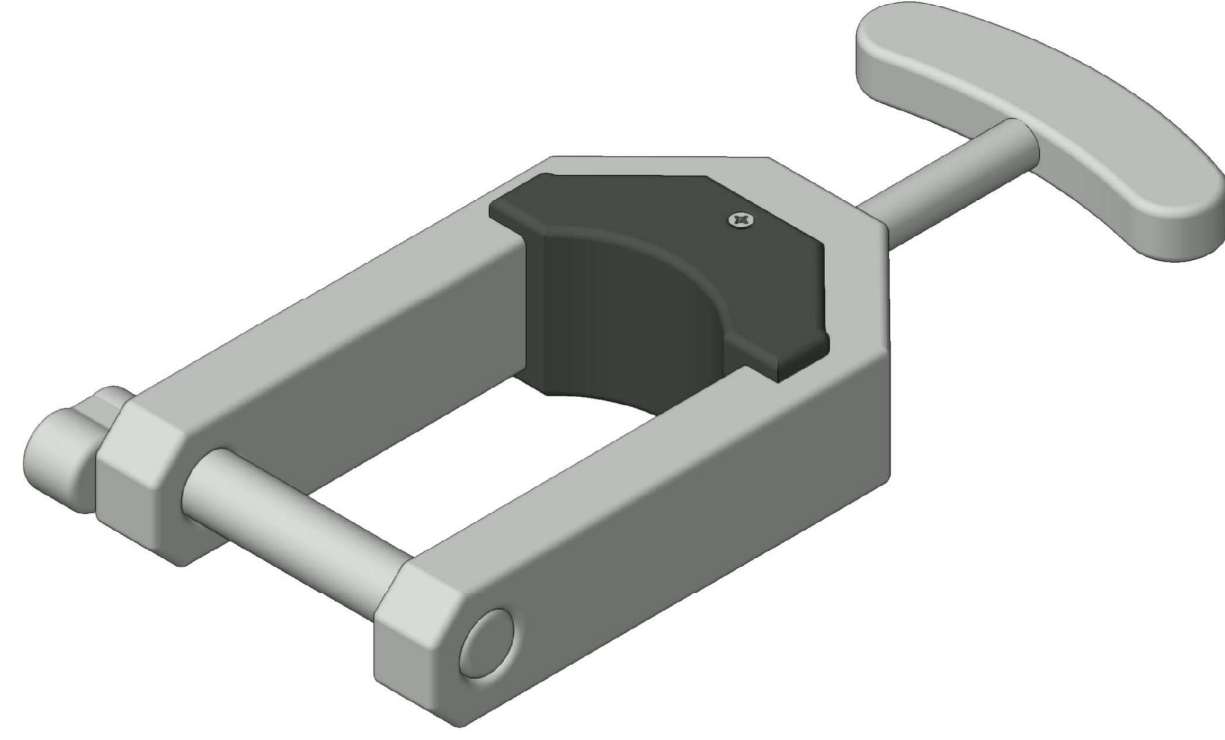
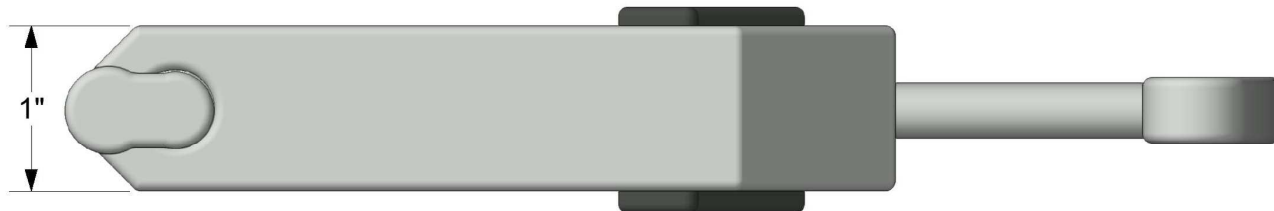
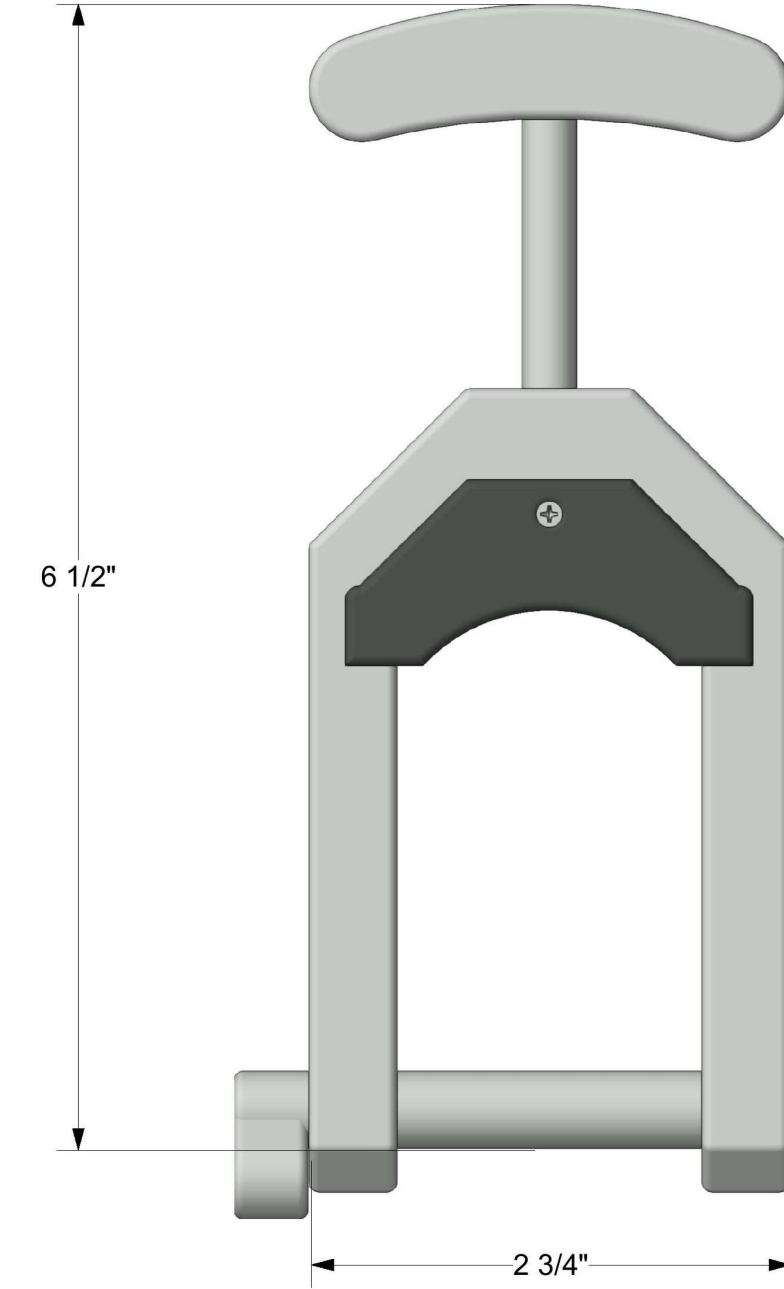
Joe Boas

DATE:

4/4/2017

A

B



1

2

3

1

2

3

A

B

VIDEO WALLTRONICS, INC.

RENTBIGSCREENS.COM

PROJECT:
DLP Ground Support

DRAWN BY:
Joe Boas

PAGE: 15- Clamp

SCALE: 1:1

DATE:
4/4/2017

A

B

1

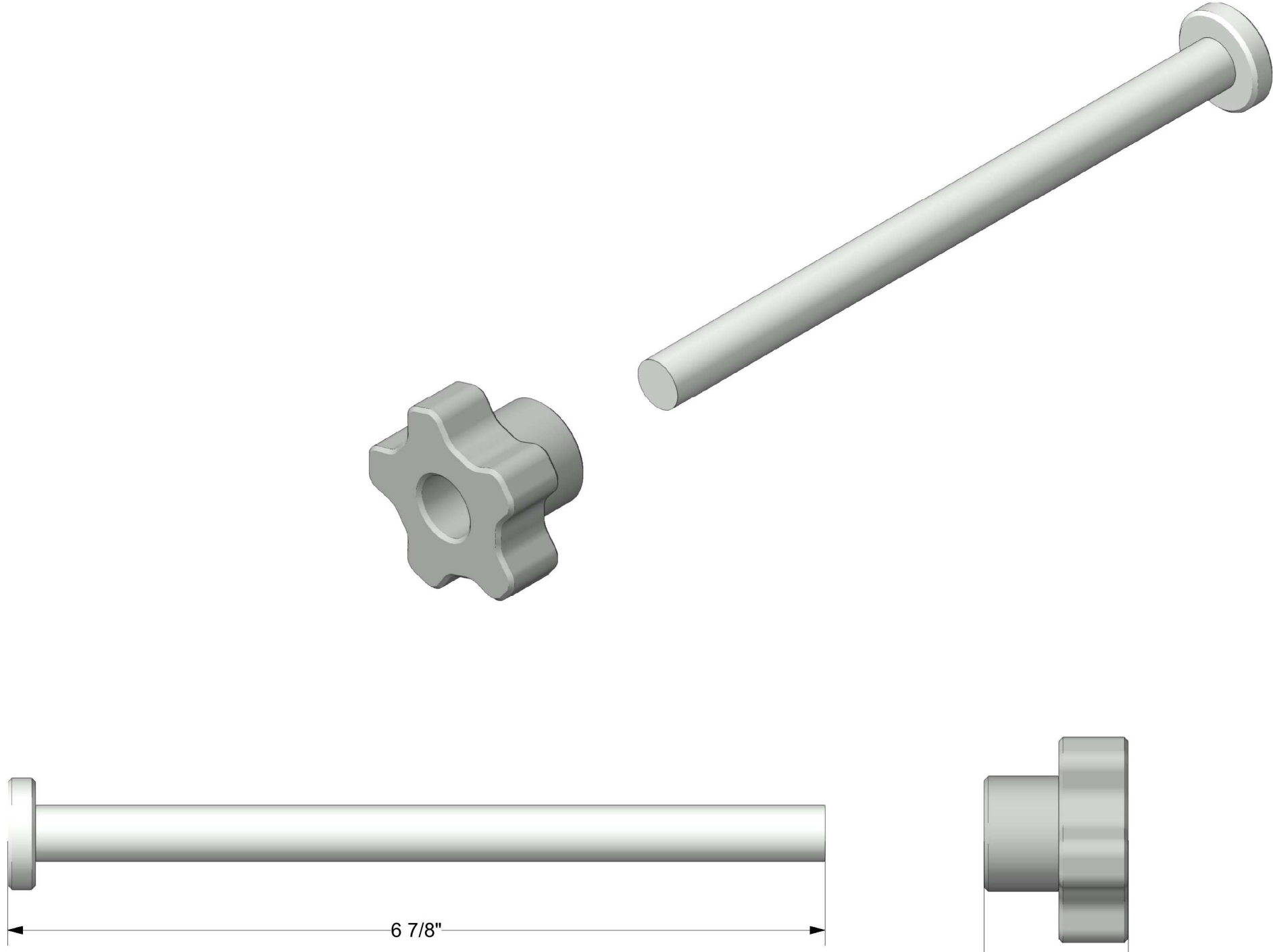
2

3

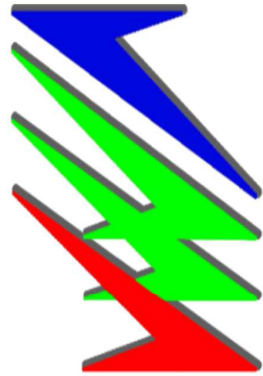
1

2

3



VIDEO WALLTRONICS, INC.



RENTBIGSCREENS.COM

PROJECT:

DLP Ground Support

DRAWN BY:

Joe Boas

DATE:

4/4/2017

PAGE: 16- Hardware

SCALE: 1:1

B

A