

15mm OUTDOOR/INDOOR LED DISPLAY

- ▶ Purpose designed to create maximum impact outdoors and indoors
- ▶ Dual use for rental/event and fixed installation
- ▶ 15mm pixels for brilliant high resolution images and vivid color

**PORTABLE * STACKABLE * LOW POWER * LIGHTWEIGHT
VERSATILE * SIMPLIFIED CABLING * EASY MAINTENANCE**



Rental
Event



Fixed
Installation

▶ MODULE SPECIFICATIONS

LED Pixels	15 mm pitch — 3 cylinder-type LEDs per pixel (R1, G1, B1)
Brightness	5,000 cd/m ²
Display Colors	approximately 1 billion colors
Image Depth	approximately 1,024 steps
Viewing Angle	left to right 160°, up 15°, down 45°
Pixel Number	32 (H) x 32 (V)
Display Size	480 x 480 mm (18.9" x 18.9") = 0.23 m ² (2.5 ft ²) (26.7 inches diagonally)
Weight	12.5kg (27.6 lbs)
Power Consumption	230 Watt (100% light output); 80 Watt (25% light output)
Power Supply	AC100V ~ 240V single phase

80 mm (18.9") →



POSSIBLE SCREEN SIZE EXAMPLES

INCH DIAGONAL	H x V (mm)		H x V (ft.)		PIXELS H x V		SCREEN AREA (m ² / ft. ²)		NUMBER OF MODULES H x V		TOTAL MODULES	ASPECT RATIO	POWER(Watts) Max / Average	WEIGHT* Kg / Lbs	
26.73	480	480	1.57	1.57	32	32	0.23	2.5	1	1	1	1.00 :1 (4:3)	230 / 80	12.5	27.6
147.60	2,880	2,400	9.45	7.87	192	160	6.91	74.4	6	5	30	1.20 :1 (4:3)	6,900 / 2,400	375.0	827.8
178.28	3,840	2,400	12.60	7.87	256	160	9.22	99.2	8	5	40	1.60 :1 (16:9)	9,200 / 3,200	500.0	1,103.8
236.79	6,280	2,880	17.32	9.45	384	192	16.21	163.7	11	6	66	1.83 :1 (16:9)	16,180 / 5,280	825.0	1,821.2
242.01	4,800	3,840	15.75	12.60	320	256	18.43	198.4	10	8	80	1.25 :1 (4:3)	18,400 / 6,400	1,000.0	2,207.6
288.46	6,240	3,840	20.47	12.60	416	256	23.96	257.9	13	8	104	1.62 :1 (16:9)	23,920 / 8,320	1,300.0	2,869.8
283.46	5,760	4,320	18.90	14.17	384	288	24.88	267.8	12	9	108	1.33 :1 (4:3)	24,840 / 8,640	1,350.0	2,980.1
346.91	7,680	4,320	25.20	14.17	512	288	33.18	367.1	16	9	144	1.77 :1 (16:9)	33,120 / 11,520	1,800.0	3,973.6
336.46	6,720	5,280	22.05	17.32	448	352	35.48	381.9	14	11	154	1.27 :1 (4:3)	35,420 / 12,320	1,925.0	4,249.4
377.95	7,680	5,760	25.20	18.90	512	384	44.24	476.2	16	12	192	1.33 :1 (4:3)	44,160 / 15,360	2,400.0	5,298.0
414.89	9,120	5,280	29.92	17.32	608	352	48.15	518.3	19	11	209	1.72 :1 (16:9)	48,070 / 16,720	2,612.6	5,767.1
472.44	9,600	7,200	31.50	23.62	640	480	69.12	744.0	20	15	300	1.33 :1 (4:3)	69,000 / 24,000	3,750.0	8,278.1
484.02	7,680	9,600	25.20	31.50	512	640	73.73	793.6	16	20	320	0.8 :1 -	73,600 / 25,600	4,000.0	8,830.0
605.02	12,000	9,600	39.37	31.50	800	640	115.20	1,240.0	25	20	500	1.25 :1 (4:3)	115,000 / 40,000	6,250.0	13,796.9
761.79	16,800	9,600	56.12	31.50	1,120	640	161.28	1,736.0	35	20	700	1.76 :1 (16:9)	161,000 / 56,000	8,760.0	19,315.7

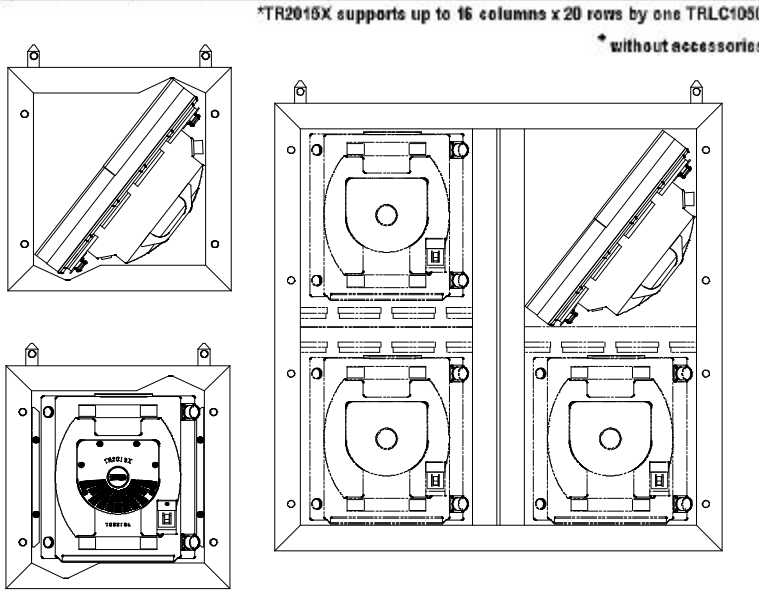
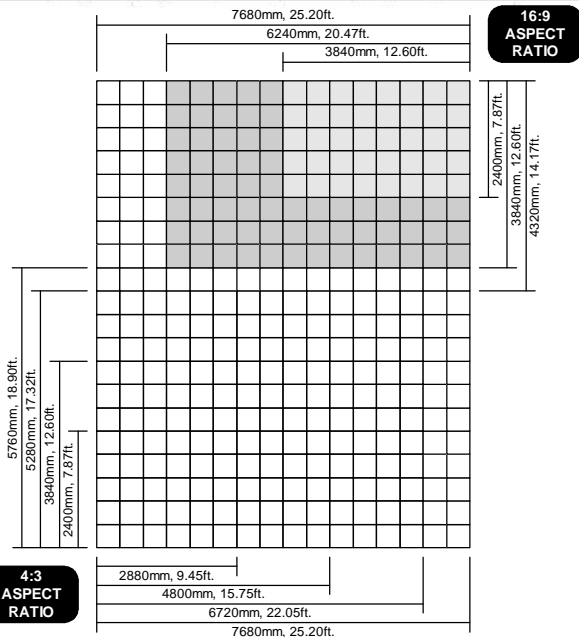


IMAGE PROCESSING SYSTEM SPECIFICATIONS

Input Signal	HD-SDI/STD-SDI/DVI-D (progressive only; looping)
Output Signal	100base-T (TR-link original) (100m max.) Up to 1024 x 640 pixels, 1.0 frame delay
Control	Screen configuration Screen ON/OFF, Brightness, Test Pattern Input Signal, Color Preset, Scaling 25% ~ 200%
Dimension	430mm(17")W x 100mm(4")H (2U)
Power Supply	AC100V ~ 240V single phase

